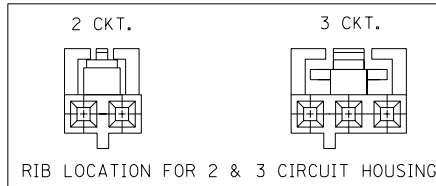


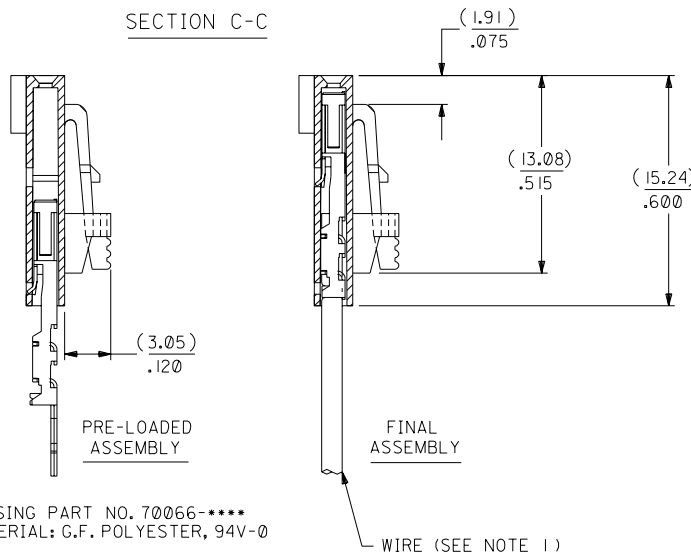
# OPTION G

## NOTES:

- TO BE USED WITH (24) AWG. STRANDED WIRE WITH (1.35)/.053 DIA. MAX. INSULATION.
- SEE CHART FOR CIRCUIT SIZES.
- STANDARD PACKAGING PER PK-70400-0001. OPTIONAL PACKAGING MAY BE AVAILABLE, REQUEST DWG. PK-70400
- PARTS STACKABLE END TO END ON (2.54)/.100 CENTERS.
- REFER TO PRODUCT SPECIFICATION: PS-70400.
- SEE DWG. SDA-70400-0001 (SHT. 5) FOR OPTIONAL HOUSING DETAILS.
- 4 CIRCUIT SHOWN. 4 - 25 CKT'S. HAVE (2) RIBS.
- TO MATE WITH MOLEX PART NO'S.: A-70373-0001, A-70375-0001, A-70389-0001, A-70391-0001, 70107-0001, 70018-0001, A-70543-0001, A-70553-0001, A-70541-0001, A-70551-0001, A-70545-0001, A-70555-0001.
- 2 CIRCUIT ASSEMBLIES SUPPLIED AS GROUPED PAIRS.



## SECTION C-C

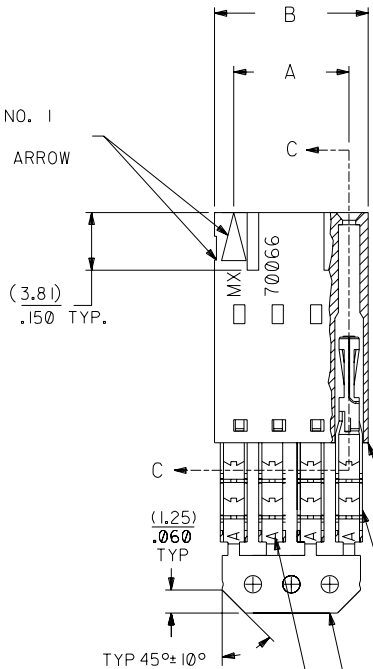
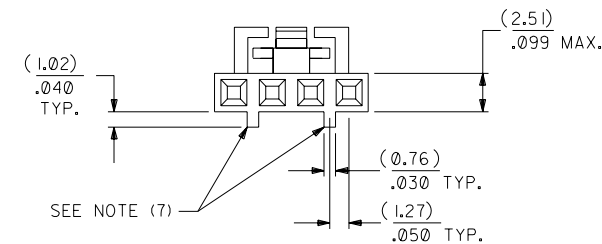


HOUSING PART NO. 70066-0001  
MATERIAL: G.F. POLYESTER, 94V-0

TERMINAL PART NO. 70028-0001  
MATERIAL: PHOSPHOR BRONZE  
PLATING PER ES-88-0001

TIN - .000150 MIN. TIN OVER  
.000050 MIN. NICKEL PLATE.

CIRCUIT NO. 1  
SLOT OR ARROW



| I.D. SLOT CODE TO WIRE GAUGE CHART |            |
|------------------------------------|------------|
| I.D. SLOT CODE                     | WIRE GAUGE |
| A                                  | 24 AWG.    |

| PLATING CODE (STRIPE ON CARRIER STRIP) |       |
|--|-------|
| PLATING                                | COLOR |
| TIN                                    | NONE  |

| CKT. SIZE | A                  | B                  | EDP. NO.   | ENG. NO.     |
|-----------|--------------------|--------------------|------------|--------------|
| 2         | ( 2.54 )<br>.100   | ( 5.05 )<br>.199   | 14-60-0022 | A-70400-0141 |
| 3         | ( 5.08 )<br>.200   | ( 7.59 )<br>.299   | 14-60-0032 | A-70400-0142 |
| 4         | ( 7.62 )<br>.300   | ( 10.13 )<br>.399  | 14-60-0042 | A-70400-0143 |
| 5         | ( 10.16 )<br>.400  | ( 12.67 )<br>.499  | 14-60-0052 | A-70400-0144 |
| 6         | ( 12.70 )<br>.500  | ( 15.21 )<br>.599  | 14-60-0062 | A-70400-0145 |
| 7         | ( 15.24 )<br>.600  | ( 17.75 )<br>.699  | 14-60-0072 | A-70400-0146 |
| 8         | ( 17.78 )<br>.700  | ( 20.29 )<br>.799  | 14-60-0082 | A-70400-0147 |
| 9         | ( 20.32 )<br>.800  | ( 22.83 )<br>.899  | 14-60-0092 | A-70400-0148 |
| 10        | ( 22.86 )<br>.900  | ( 25.37 )<br>.999  | 14-60-0102 | A-70400-0149 |
| 11        | ( 25.54 )<br>1.000 | ( 27.91 )<br>1.099 | 14-60-0112 | A-70400-0150 |
| 12        | ( 27.94 )<br>1.100 | ( 30.45 )<br>1.199 | 14-60-0122 | A-70400-0151 |
| 13        | ( 30.48 )<br>1.200 | ( 32.99 )<br>1.299 | 14-60-0132 | A-70400-0152 |
| 14        | ( 33.02 )<br>1.300 | ( 35.53 )<br>1.399 | 14-60-0142 | A-70400-0153 |
| 15        | ( 35.56 )<br>1.400 | ( 38.07 )<br>1.499 | 14-60-0152 | A-70400-0154 |
| 16        | ( 38.01 )<br>1.500 | ( 40.61 )<br>1.599 | 14-60-0162 | A-70400-0155 |
| 17        | ( 40.64 )<br>1.600 | ( 43.15 )<br>1.699 | 14-60-0172 | A-70400-0156 |
| 18        | ( 43.18 )<br>1.700 | ( 45.69 )<br>1.799 | 14-60-0182 | A-70400-0157 |
| 19        | ( 45.72 )<br>1.800 | ( 48.23 )<br>1.899 | 14-60-0192 | A-70400-0158 |
| 20        | ( 48.26 )<br>1.900 | ( 50.77 )<br>1.999 | 14-60-0202 | A-70400-0159 |
| 21        | ( 50.80 )<br>2.000 | ( 53.31 )<br>2.099 | 14-60-0212 | A-70400-0160 |
| 22        | ( 53.34 )<br>2.100 | ( 55.85 )<br>2.199 | 14-60-0222 | A-70400-0161 |
| 23        | ( 55.88 )<br>2.200 | ( 58.39 )<br>2.299 | 14-60-0232 | A-70400-0162 |
| 24        | ( 58.42 )<br>2.300 | ( 60.93 )<br>2.399 | 14-60-0242 | A-70400-0163 |
| 25        | ( 60.96 )<br>2.400 | ( 63.47 )<br>2.499 | 14-60-0252 | A-70400-0164 |

\*THE PRIMARY SHIPPING CARTON WILL BE LABELED "COMPLIANT TO ROHS DIRECTIVE 2002/95/EC AND ELV ANNEX II OF DIRECTIVE 2000/53/EC". CARTONS WITHOUT THIS LABEL MAY CONTAIN PRODUCT WITH LEAD.

|   |  |  |  |  |  |
|---|--|--|--|--|--|
| ADD CARRIER CHAMF<br>ECN #UDT1998-0280<br>05/20/98 LMCGRATH |  | DIMENSIONS SHOWN (METRIC) INCH<br>UNLESS OTHERWISE SPECIFIED<br>TOLERANCES: ANGULAR ± 1/2° |  | ▽ = 0 ▼ = 0 REVISE ONLY ON CAD SYSTEM  |  |
| 164 PLATING WAS<br>PER ECR # U30941<br>07/14/93 REED        |  | INCH METRIC<br>3 PLACE ± .010 ---<br>2 PLACE ± .014 ± 0.25<br>1 PLACE --- ± 0.35           |  | TITLE<br>ASSEMBLY, SL CONNECTOR<br>(SINGLE ROW - (2.54)/.100 GRID)   |  |
| LEAD FREE<br>UCP2004-1769<br>RWHITE 04/03/17                |  | DRAFT WHERE APPLICABLE MUST<br>REMAIN WITHIN DIMENSIONS                                    |  | MOLEX INCORPORATED SHEET NO. DATE<br>LITSE, ILL. 60532 U.S.A. 10/09/84   |  |
| REVISED PER<br>ECR # U00049<br>9-27-90 MCB                  |  | DRAWG. BY: WAZ CHK'D BY: WAZ<br>APP'D BY: SCALE 4:1  |  | PART NO. DRWG. NO.<br>SEE CHART SDA-70400-0141-0164  |  |
| LTR. REVISIONS  |  | LTR. REVISIONS   |  | FILE NAME: S704000CX1 DIV. SIZE<br>THIS DRAWING CONTAINS INFORMATION THAT IS PROPRIETARY TO MOLEX INC. AND SHOULD NOT BE USED WITHOUT WRITTEN PERMISSION. DA C |  |